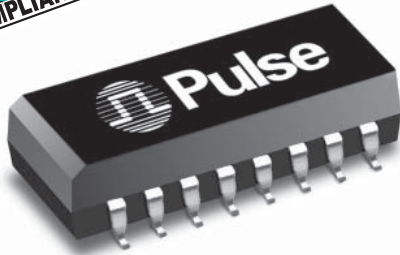






EXTENDED TEMPERATURE SURFACE MOUNT 10BASE-T INTERFACE MODULE



www.pulseeng.com

Fully Integrated for Adapter, Hub and Motherboard Applications



-  Peak solder temperature rating per Table 5-2 in IPC/JEDEC J-STD-020
-  Extended temperature operates -40°C to +85°C
-  Meets IEEE 802.3 specification
-  EX2001 part is designed for AMD extended temperature transceiver

Electrical Specifications @ 25°C — Operating Temperature -40°C to +85°C

Part Number	Insertion Loss	Attenuation (Transmit-dB MIN)			Return Loss 5-10MHz (dBMIN)		Crosstalk (dBMIN)	Common Mode Rejection (Transmit-dB MIN)					Hipot (Vrms MIN)
		1-10MHz	30MHz	50MHz	100MHz	100Ω		98Ω ±13	5-10 MHz	5MHz	10MHz	50MHz	
EX2001QNL 1C	-1.0	-30	-35	-35	-18	-15	-35	-60	-60	-55	-50	-45	1800

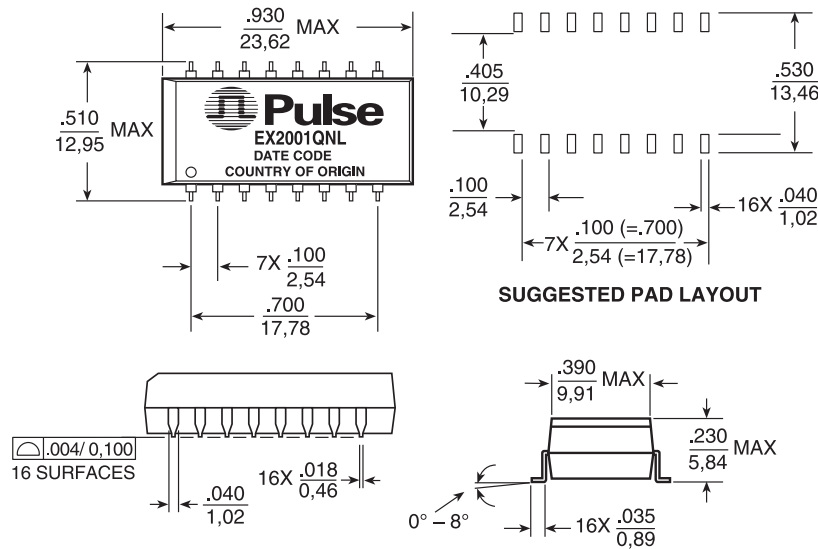
1. MSL = Moisture Sensitivity Level a=1 b=2 c=3 d=4

2. NL = RoHS compliant parts, e.g. EX2001QNL and then changes to EX2001QNLT (when ordering Tape & Reel packaging).

NOTE: Turns ratios are 1:1 for the EX2001QNL. The receive and transmit sides meet IEEE 802.3i specifications. Specifications reflect filter sections.

Mechanical

EX2001QNL



Weight 2.5 grams
 Tape & Reel 250/reel
 Tube 20/tube

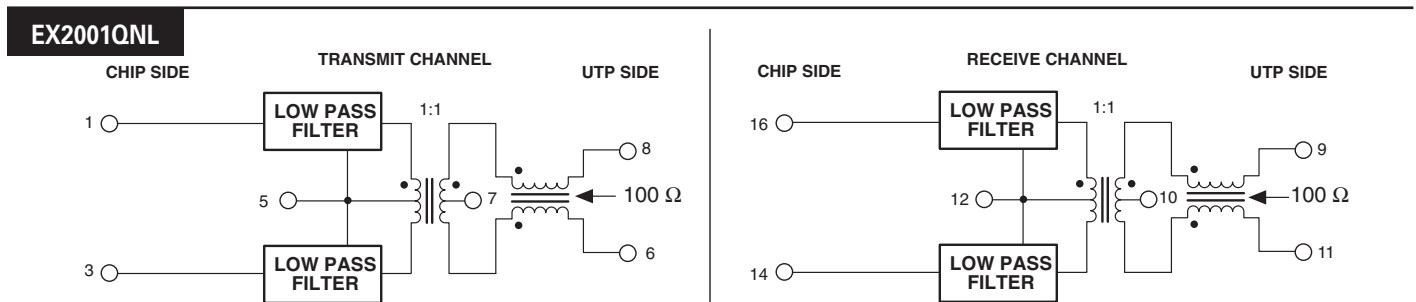
Dimensions: $\frac{\text{Inches}}{\text{mm}}$

Unless otherwise specified, all tolerances are $\pm \frac{.010}{0,25}$

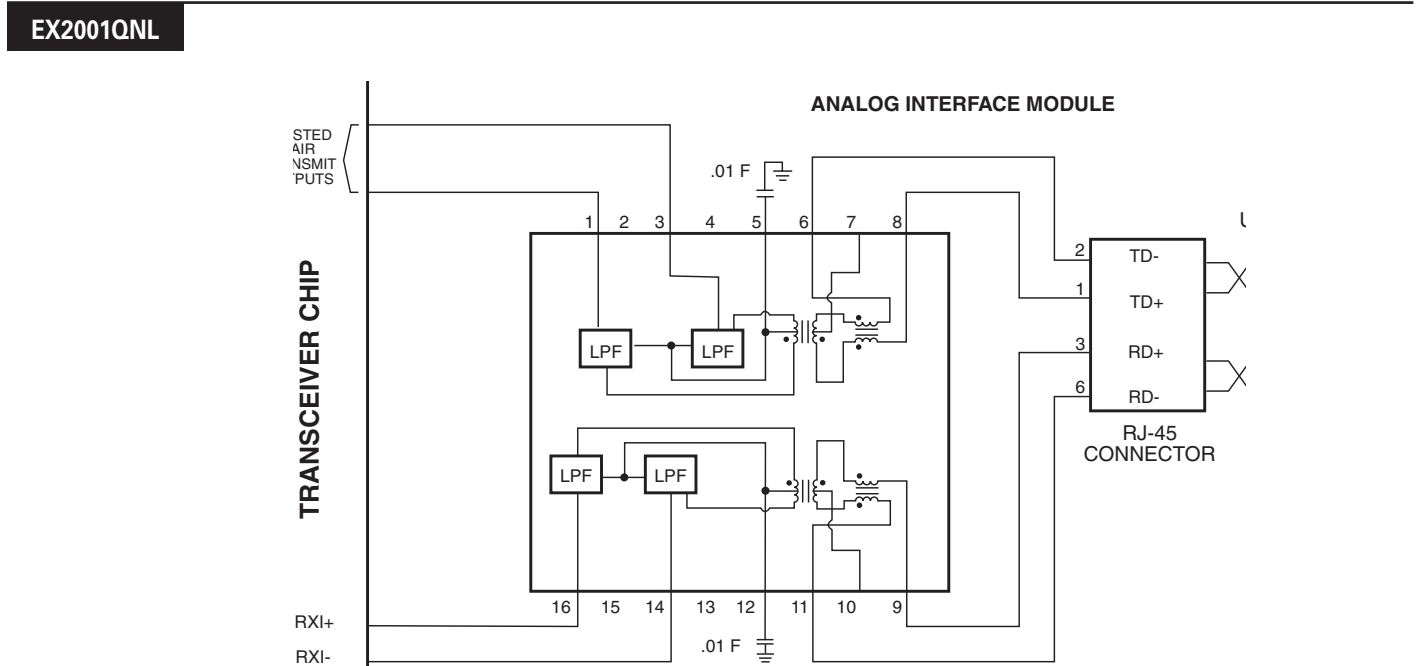
EXTENDED TEMPERATURE SURFACE MOUNT 10BASE-T INTERFACE MODULE

Fully Integrated for Adapter, Hub and
Motherboard Applications

Schematic



Typical Application Circuit



For More Information:

Pulse Worldwide Headquarters

12220 World Trade Dr.
San Diego, CA 92128
U.S.A.

www.pulseeng.com

Tel: 858 674 8100
Fax: 858 674 8262

Pulse Europe

Einsteinstrasse 1
D-71083 Herrenberg
Germany

Tel: 49 7032 7806 0
Fax: 49 7032 7806 135

Pulse China Headquarters

B402, Shenzhen Academy of
Aerospace Technology Bldg.
10th Kejinan Rd.
High-Tech Zone
Nanshan District
Shenzhen, PR China 518057

Tel: 86 755 33966678
Fax: 86 755 33966700

Pulse North China

Room 2704/2705
Super Ocean Finance Ctr.
2067 Yan An Rd. West
Shanghai 200336
China

Tel: 86 21 62787060
Fax: 86 2162786973

Pulse South Asia

135 Joo Seng Rd.
#03-02
PM Industrial Bld g.
Singapore 368363

Tel: 65 6287 8998
Fax: 65 6287 8998

Pulse North Asia

3F, No. 198
Zhongyuan Rd.
Zhongli City
Taoyuan County 320
Taiwan R. O. C.

Tel: 886 3 4356768
Fax: 886 3 4356823 (Pulse)
Fax: 886 3 4356820 (FRE)

Performance warranty of products offered on this data sheet is limited to the parameters specified. Data is subject to change without notice. Other brand and product names mentioned herein may be trademarks or registered trademarks of their respective owners.

© Copyright, 2010. Pulse Engineering, Inc. All rights reserved.